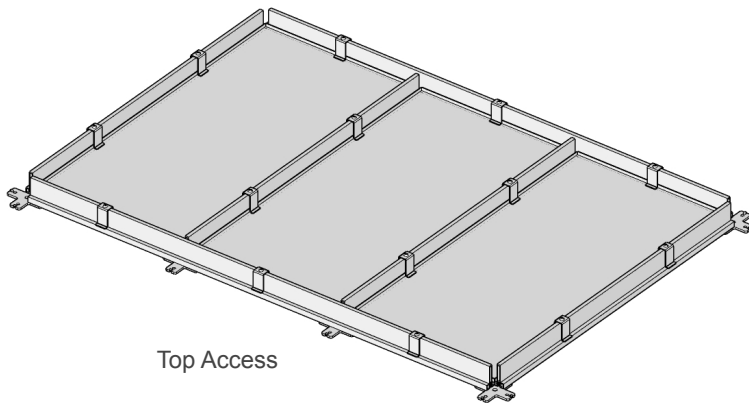


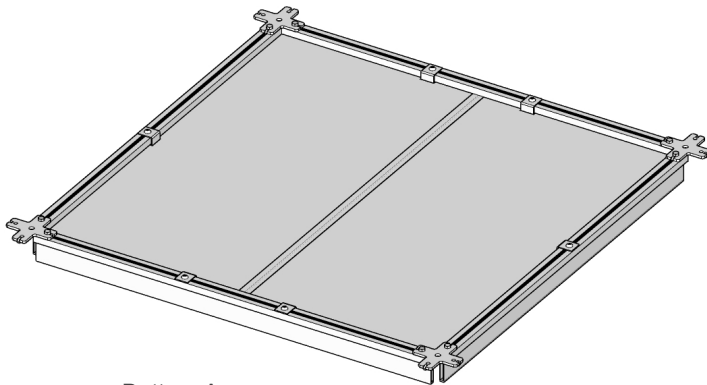


Polargy Security Ceiling Data Sheet

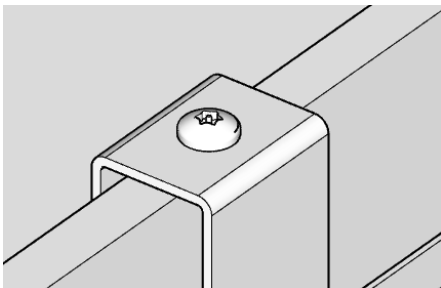
April 4, 2023



Top Access



Bottom Access



Tamper-Resistant Hardware

TILE SPECIFICATIONS

- 16 gauge solid steel tiles
- Can be designed for access below or above the grid
- High durability white powder coat finish
- Tiles can be configured to 24.0"/48.0" On Center, or to 24.5"/48.5" On Center to insert into Polargy's ceiling grid
 - 23.4" X 47.3" Standard Tile size
 - 23.75" X 47.75" Creep Tile size

ADDITIONAL TILE OPTIONS

- Custom colors available by request
- Perforated tiles available by request
- Metric sizes also available

HARDWARE

- Factory finished 13 gauge steel hold down or hold in brackets
- Torx Tamper-Resistant security screws