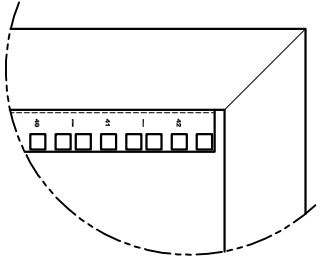


POLARRACK XG : 78.00 x 24.00 x 42.00
PART NO: TBD

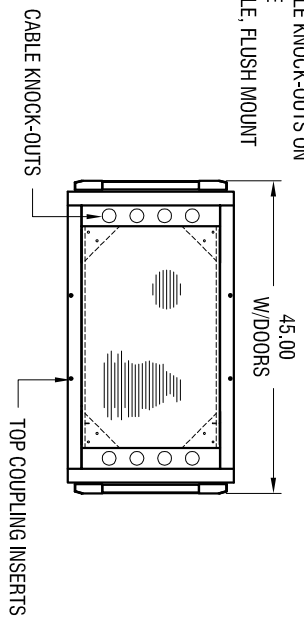
MOUNTING RAILS: RMU

SQUARE HOLE RAIL, 42U
 (2) PAIR, 19" EIA-310-D COMPLIANT
 RMU MARKS BOTTOM TO TOP
 30 PC M6 HARDWARE INCLD.
 ADJUSTABLE FRONT-BACK
 MAX. EQ DEPTH: 38.00"



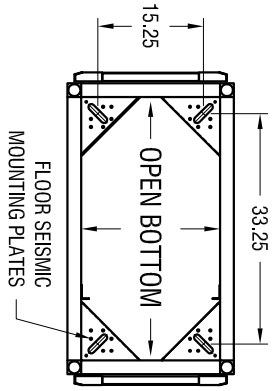
TOP VIEW

CLEAR: 6mm TWINWALL PANEL
 WITH CABLE KNOCK-OUTS ON
 EACH SIDE
 REMOVABLE, FLUSH MOUNT

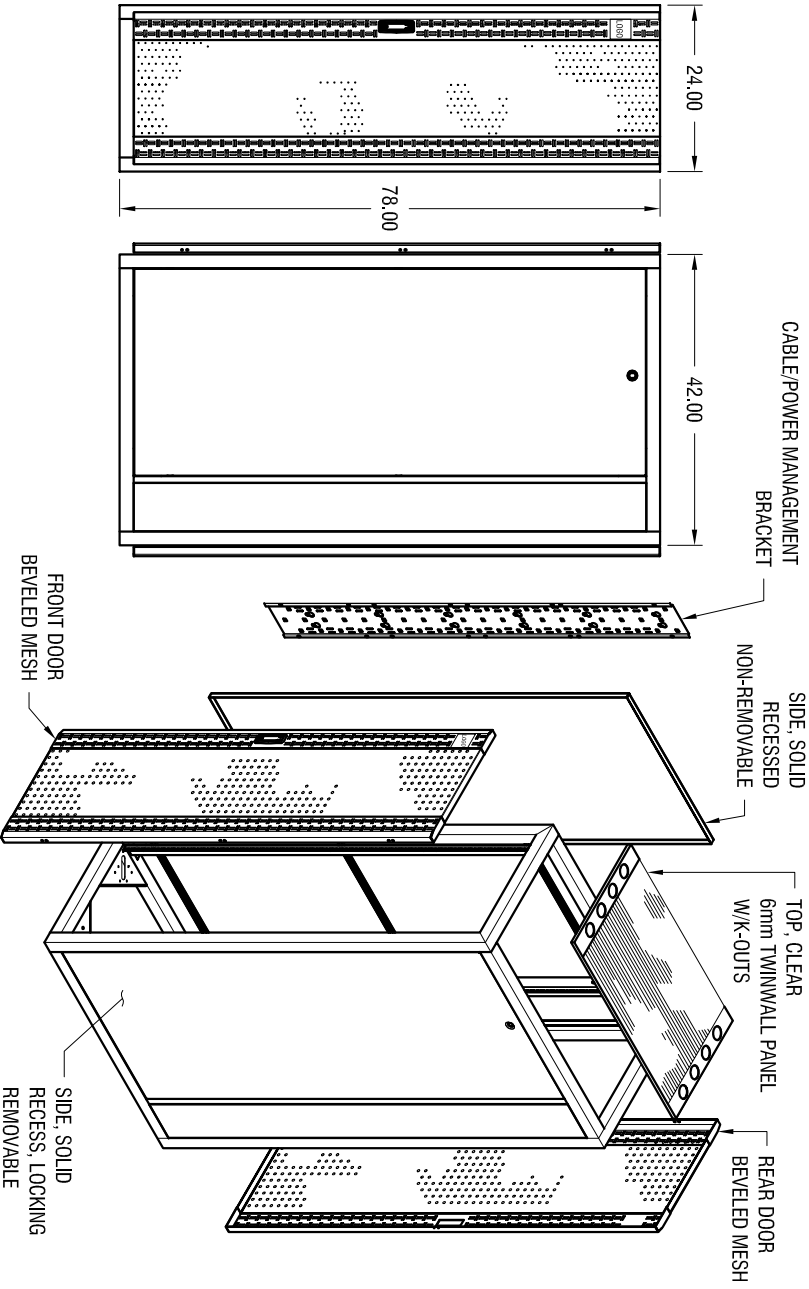


BOTTOM VIEW

FLOOR MOUNT DIMS: 15.25 x 33.25
 (4) FLOOR LEVELERS INCLUDED



REV	ECD	DATE	REVISIONS	DESCRIPTION



DIMENSIONS

POLARRACK XG
 2 x 2 TUBULAR STEEL
 HEIGHT: 78.00
 WIDTH: 24.00
 DEPTH: 42.00

MOUNTING RAIL

42RMU, L-TYPE ANGLES
 SQUARE HOLE RAIL
 EIA SPACING, 5/8 x 5/8 x 1/2
 19.00" RACKABLE
 ADJUSTABLE, MAX. 29.00 DEPTH

DOORS/F/B

HI FLO MESH, 82% AIR-FLOW
 REINFORCED BEVELED DESIGN
 W/CUSTOM PATTERN
 PREMIUM LOCK, KEYED ALIKE
 DIMS: 76.00H x 22.00W x 0.50D

ACCESSORIES

CABLE/POWER MANAGEMENT
 BRACKET AND OTHER
 ACCESSORIES SOLD SEPARATE

COLOR
 BLACK-TEXTURED

TOP PANEL
 CLEAR, 6mm TWINWALL PANEL
 W/CABLE KNOCK-OUTS
 FLUSH MOUNT, REMOVABLE

CLASSIFICATION
 ZONE 4
 19" EIA-310-D COMPLIANT
 ROHS COMPLIANT

WT CAPACITY

3000 LBS. STATIC CAP.



ALL INFORMATION ARE PROPRIETARY DATA OF POLARRACK INC.
 PRODUCTS INC. ANY REPRODUCTION IN ANY FORM
 WITHOUT THE WRITTEN AGREEMENT OF POLARRACK
 TOLERANCE XXX±.010 XX±.030 X±.060 *TOLER±.15
 ALL DIM. ARE IN INCHES UNLESS OTHERWISE SPECIFIED

POLARRACK XG CABINET
 78.00 x 24.00 x 42.00
 W/SQUARE HOLE RAILS

PART NO.	REV.	DATE	CHG.	SCALE	MATERIAL