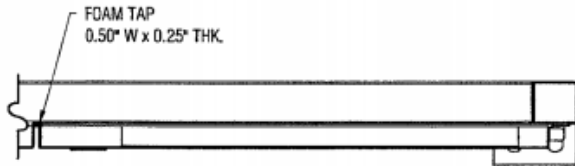


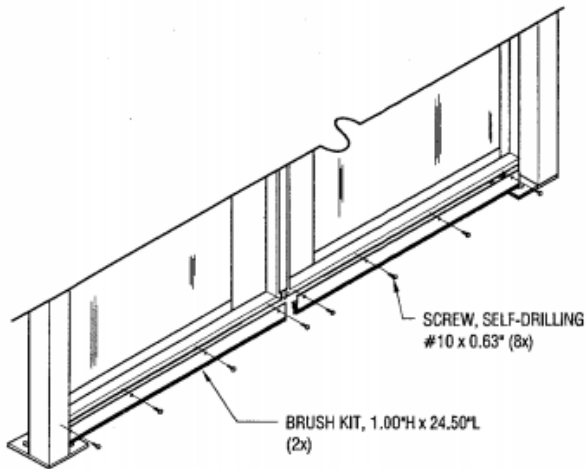
**FOAM TAPE DETAIL**

A) APPROVED AS DRAWN  
 \_\_\_\_\_ DATE \_\_\_\_\_  
 B) APPROVED WITH CHANGES  
 \_\_\_\_\_ DATE \_\_\_\_\_



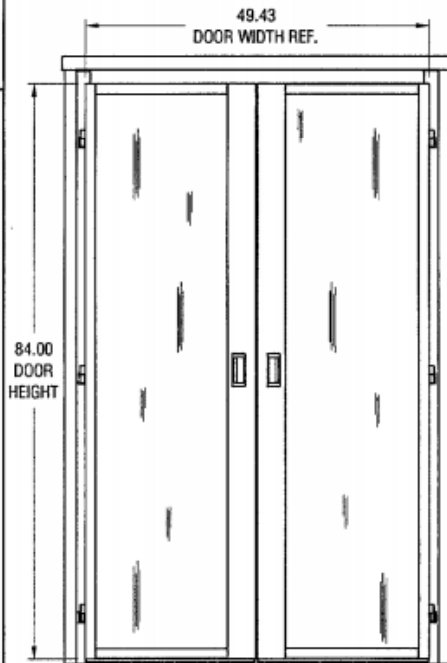
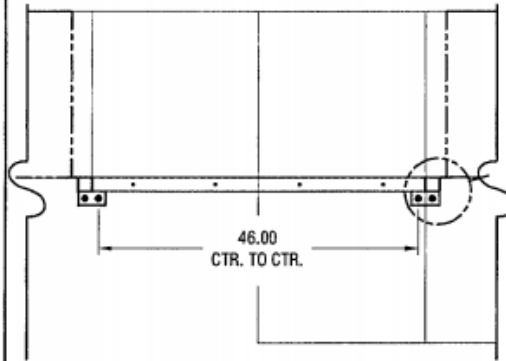
\* FOAM TAPE ON TOP AND SIDE SIDE OF DOOR.

**BOTTOM BRUSH DETAIL**

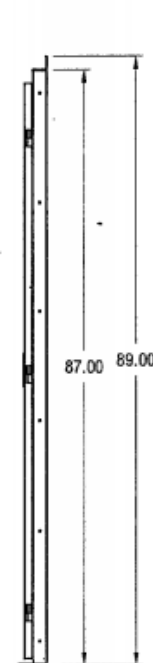


**END OF ROW DOORS**

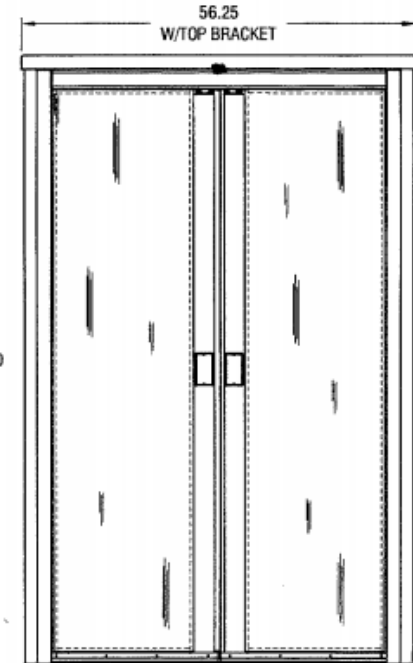
REVISIONS			
REV	ECD	DATE	DESCRIPTION



FRONT VIEW



SIDE VIEW



REAR VIEW

TITLE: END OF ROW DOORS  
 87.00 x 52.00  
 W/BRUSH KITS

Drawn by: SWS  
 AP 01.14.2010

DESIGNED BY: CR  
 SCALE: N/A

MATERIAL: N/A  
 FINISH: EPOXY POWDER-COAT  
 MAX BEND R=0.30, RELIEF=0.050 A/R  
 UNLESS OTHERWISE SPECIFIED