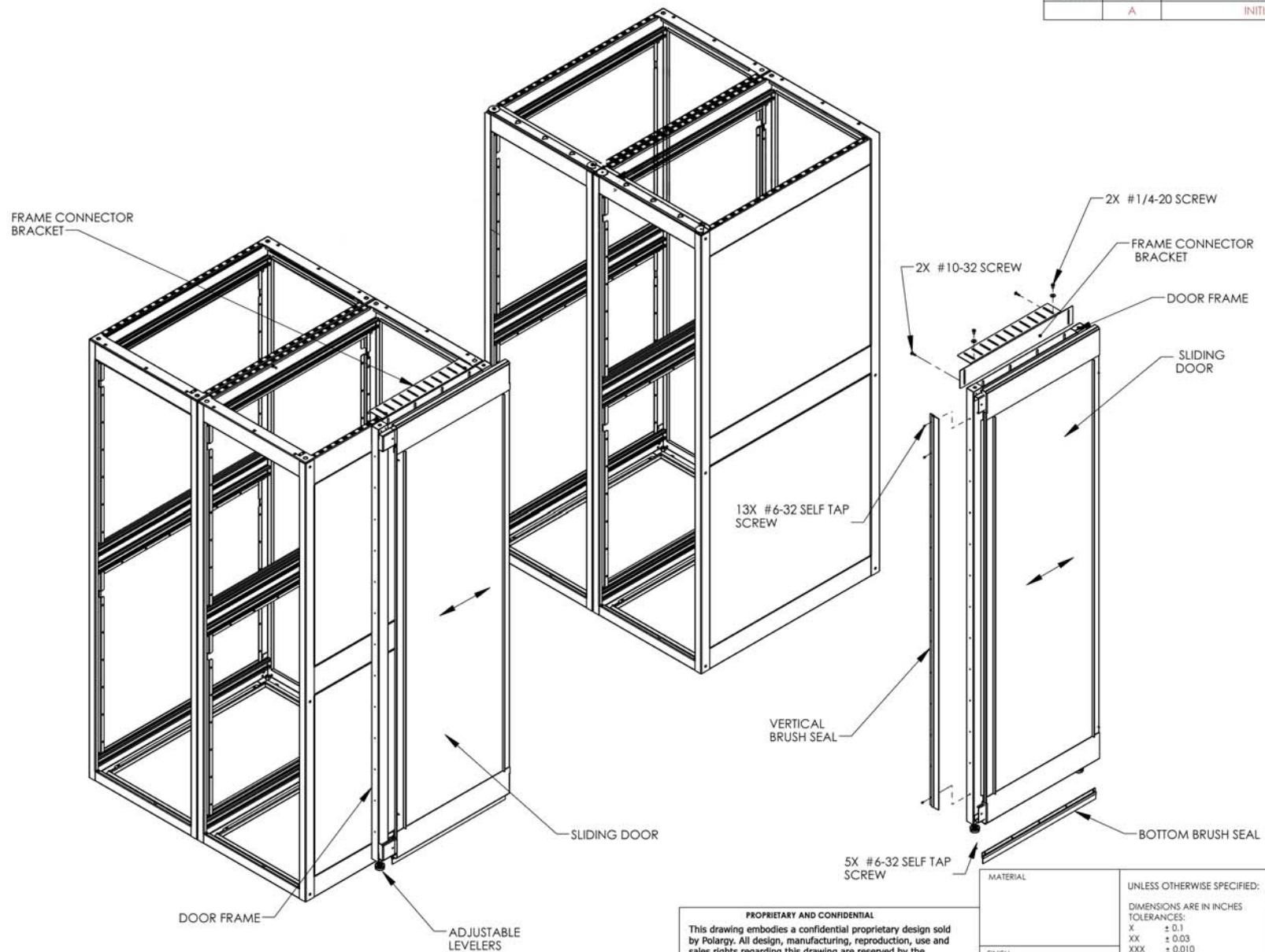


8 7 6 5 4 3 2 1

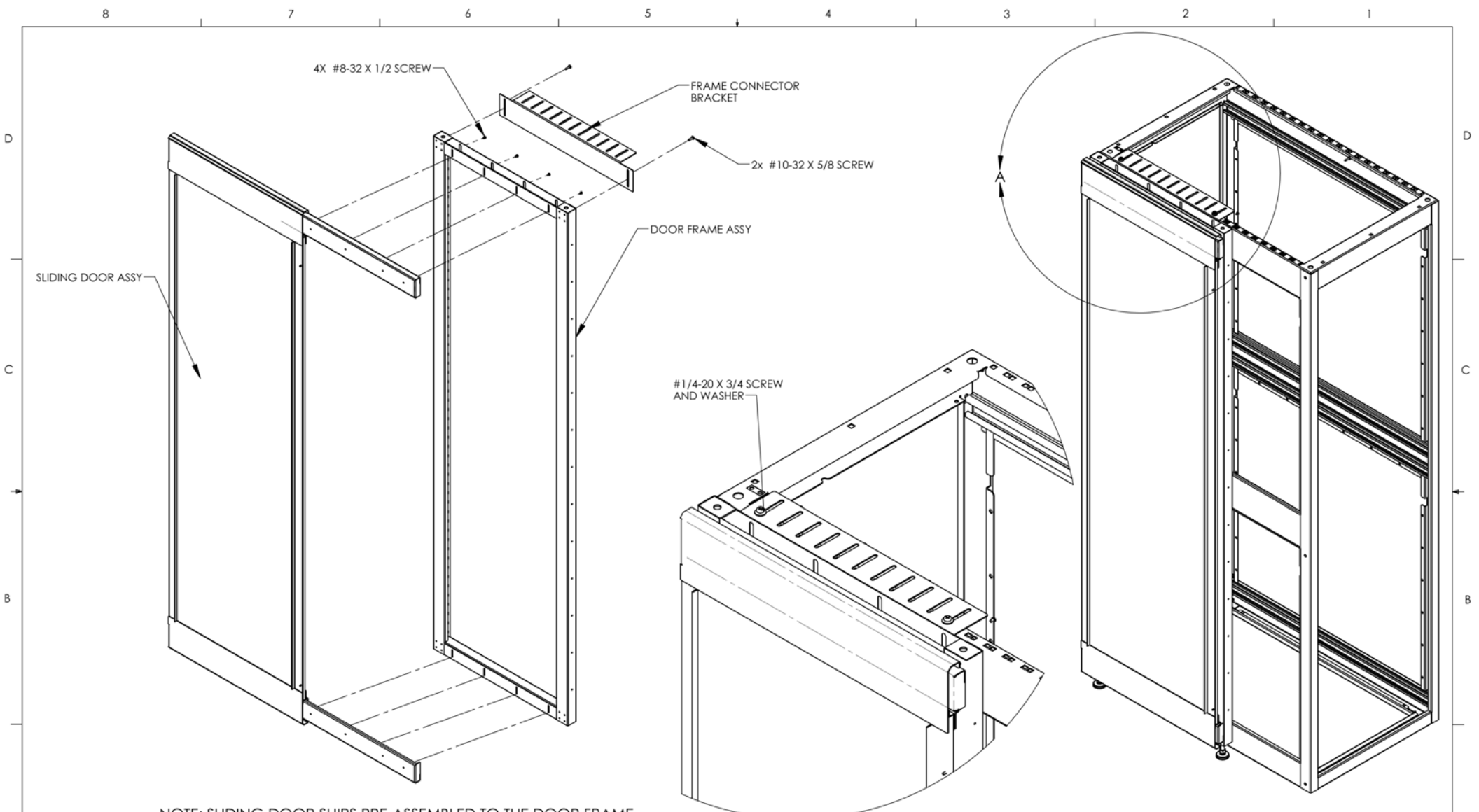
ZONE	REV.	DESCRIPTION	DATE	APPROVED
	A	INITIAL RELEASE	10/17/2008	REJ



PROPRIETARY AND CONFIDENTIAL
 This drawing embodies a confidential proprietary design sold by Polargy. All design, manufacturing, reproduction, use and sales rights regarding this drawing are reserved by the manufacturer. The recipient of this drawing assumes custody thereof and agrees that the information contained herein shall not be used, duplicated or disclosed to reproduce articles or subject matter therein without written permission of the manufacturer. Contact Polargy for details.

MATERIAL	UNLESS OTHERWISE SPECIFIED: DIMENSIONS ARE IN INCHES TOLERANCES: X ± 0.1 XX ± 0.03 XXX ± 0.010 ANGLES ± 1/2 DEG BEND RAD = 0.06		Polargy	
FINISH			SLIDING DOOR/PARTITION HOT/COLD AISLE	
DRAWN BY: REJ	DATE: 06/12/09	SIZE B	CAGE CODE 26073	DWG. NO. 127749-100
WEIGHT:			REV A	SHEET 1 OF 3

8 7 6 5 4 3 2 1



PROPRIETARY AND CONFIDENTIAL
 This drawing embodies a confidential proprietary design sold by Polargy. All design, manufacturing, reproduction, use and sales rights regarding this drawing are reserved by the manufacturer. The recipient of this drawing assumes custody thereof and agrees that the information contained herein shall not be used, duplicated or disclosed to reproduce articles or subject matter therein without written permission of the manufacturer. Contact Polargy for details.

MATERIAL ----	UNLESS OTHERWISE SPECIFIED: DIMENSIONS ARE IN INCHES TOLERANCES: X ± 0.1 XX ± 0.03 XXX ± 0.010 ANGLES ± 1/2 DEG BEND RAD = 0.06			Polargy SLIDING DOOR/PARTITION DOOR AND FRAME ASSY
FINISH BLACK	SIZE B	CAGE CODE 26073	DWG. NO. 127749-100	
DRAWN BY: REJ	DATE: 04/03/09	WEIGHT:	REV A	SHEET 2 OF 3